

Outdoor Camera (Outdoor Station)

Features:

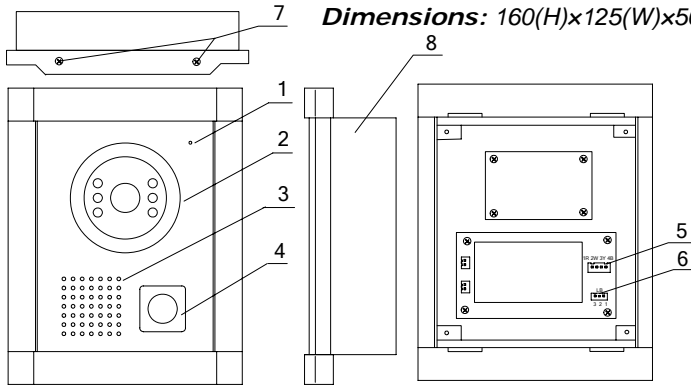
- Suitable for 4-wires Single Entry system, compatible with VT6xx series of monitors
- Stainless steel panel, connect up to 4 Monitors directly
- Embed mounting, with metal box
- Capable of installing with Rainy Cover in flush mount

Parts List:

- VT581 unit; C3-4P cable to connect Monitor; C3-3P cable to connect lock

Parts and Functions:

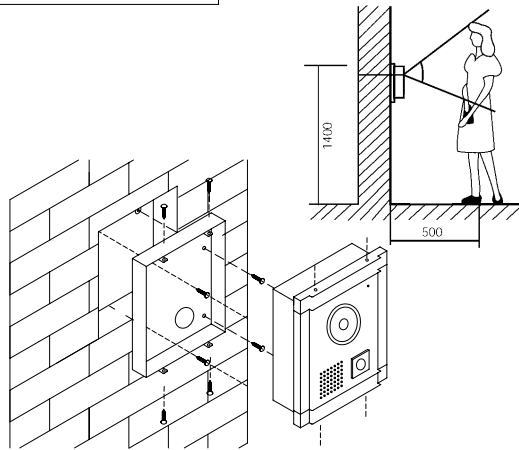
Dimensions: 160(H)x125(W)x50(D)



1. Microphone
2. Camera
3. Speaker
4. Call Button
5. Connection Port
6. Unlock Port LB
7. Fix screw
8. Mount box

Mount Instruction:

- Cut a hole in 140X117X35mm size on the wall, input and fix the mounting box with screws.
- Wire the cables, and test the single entry system until it works.
- Put the VT581 body into the box, then tight the screws firmly on top and bottom.



Precautions:

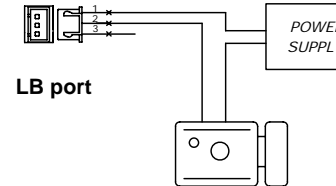
- Do not install in a place where there would be a bright light behind a visitor (or where there would be a bright background), or in a place where the camera lens would be directly exposed to sunlight or a bright light. If light comes in on the unit's screen, the image looks white or silhouetted. But this is not a unit trouble.
- Do not install the unit in places where High or extreme cold temperature, moisture or humidity extremes, Constant vibration or impact, steam or smoke.

Specifications:

- Power Supply: DC 10~12V (Powered by Monitors)
- Power Consumption: 150mA in working state (not including the latch activating)
- Video Output: 75Ohm Impedance, 1Vp-p, CCIR standard (unless specified)
- Camera: 76 degree, CCD or CMOS camera with IR-LED for night vision
- Working temperature: -10 ~ 40 degree

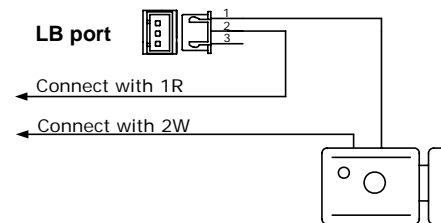
Electronic Latch connecting instructions

- **Mode 1: With Monitor's JP-LK Jumper (Dry contact)**



Extra power supply for latch must be installed, and nearly all kinds of electronic latch can be used. Incidentally, in this mode, you can continue talking and monitoring during unlock operation.

- **Mode 2: Without JP-LK Jumper (DC output)**



The Latch can directly connect with the Door Station and the power through monitor. During unlock operation, the monitor will close screen automatically. The Latch is rated voltage is 12V, less than 500mA consumption.

Note: Please use right and specific Latch.