

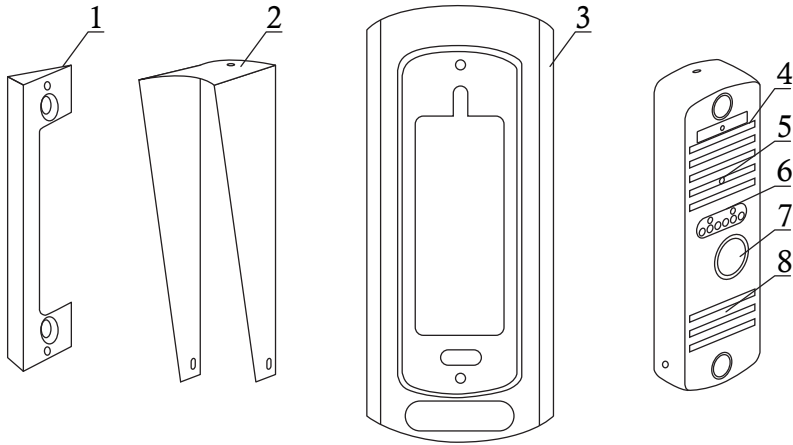
English

VIDEO DOOR PHONE SYSTEM

USER MANUAL

VT-ENG-589-V1.0 090S215

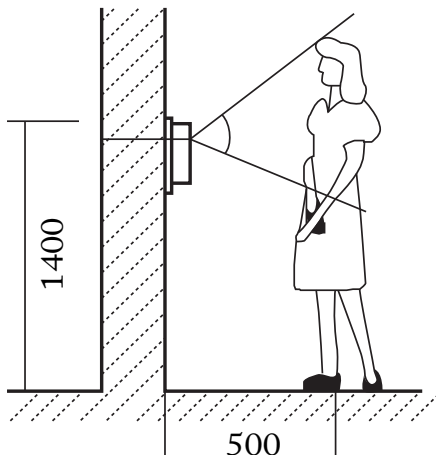
1. Parts and Functions



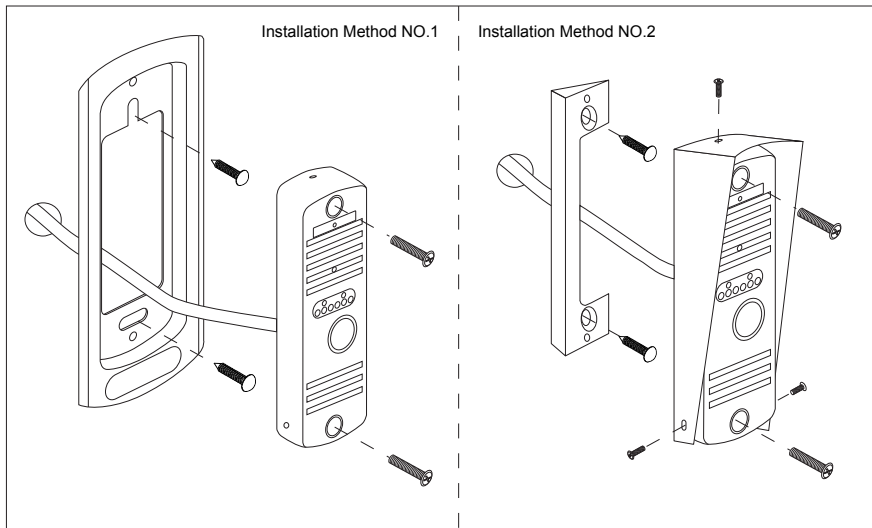
1. Angle Mounting Bracket
2. Rainy Cover
3. Flush Mounting Base
4. Microphone

5. Camera Lens
6. Infrared LED
7. Calling Button
8. Loud Speaker

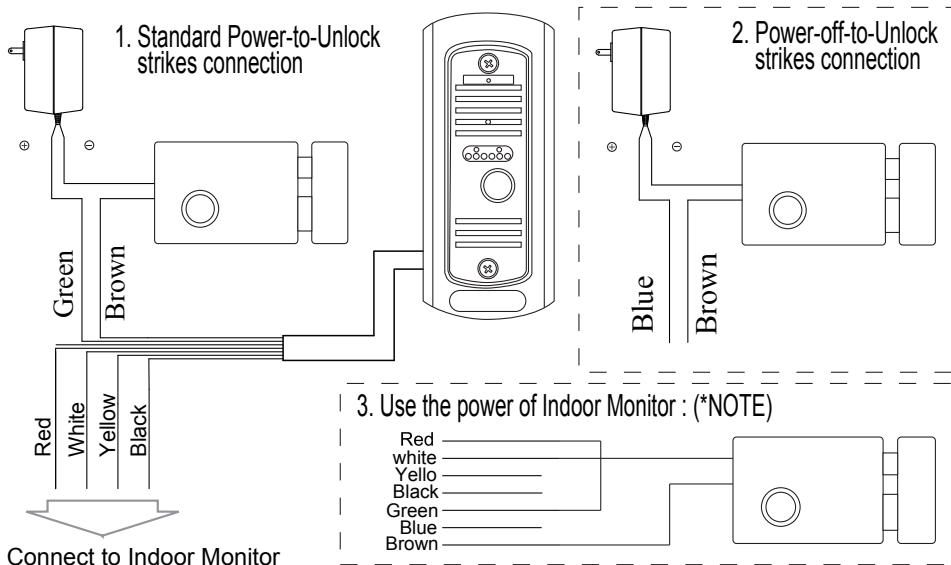
2. Mounting and Installation



1. Cut a hole in 128(H)X50(W)X16(D)mm size on the wall, and fix Flush Mounting Base with the screws. (If use installation method NO.2 which use the Angle Mounting Bracket, just fix the Angle on the wall)
2. Wire the cables, and test the single entry system until it works. Adjust the camera angle if necessary.
3. Fix body with bracket, then tight the screw firmly.(install the Rainy Cover if use Method NO.2, see next picture)



3. Strikes Connections



***NOTE:**

When use the Indoor monitor power to supply the strikes(strikes connection 3), the strikes MUST be a Power-to-Unlock type, and the Rated Voltage of the strike must less than 12 V DC, the Currency Consumption less than 500mA , and the JP-LK jumper on the Monitor should be Removed.

4. Precautions

- Do not install in a place where there would be a bright light behind a visitor (or where there would be a bright background), or in a place where the camera lens would be directly exposed to sunlight or a bright light. If light comes in on the unit's screen, the image looks white or silhouetted. But this is not a unit trouble.
- Do not install the unit in places where High or extreme cold temperature, moisture or humidity extremes, Constant vibration or impact, steam or smoke.

5. Specifications

- Power Supply:DC 10~12V (Powered by Monitors)
- Power Consumption:150mA in working state (not including the latch activating)
- Video Output:75Ohm Impedance, 1Vp-p, CCIR standard (unless specified)
- Camera:76 degree, CCD or CMOS camera with IR-LED for night vision
- Working temperature:-10 ~ 40 degree