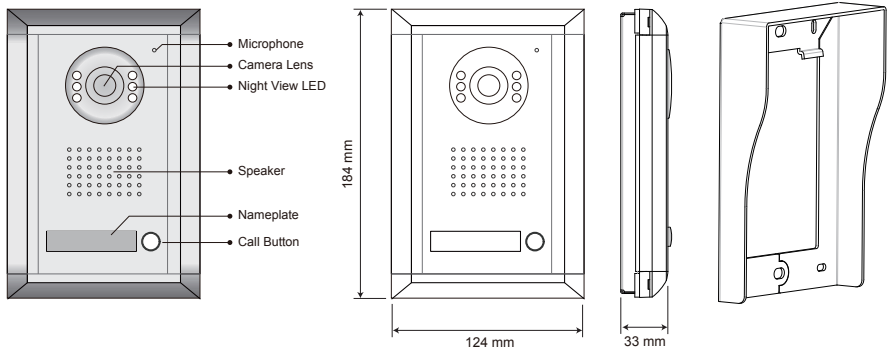


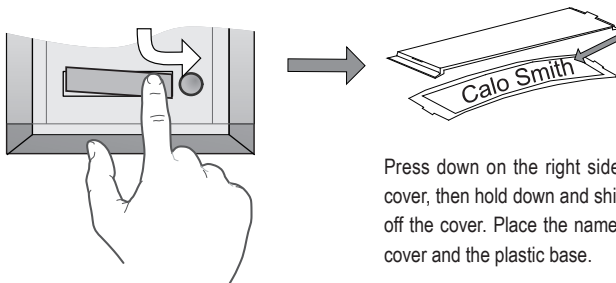
VT-593 Outdoor Camera User Manual

Precautions: Do not install camera/bell where there would be a bright light behind the visitor (or where there would be a bright background), or in a place where the camera lens would be directly exposed to sunlight or a bright light. If light shines directly into the outdoor camera lens, the image will be over-exposed; it will look white or silhouetted. Take precautions against this. Do not install the unit in places where is constant vibration, extreme heat or unusual external interference.

1. Parts and functions

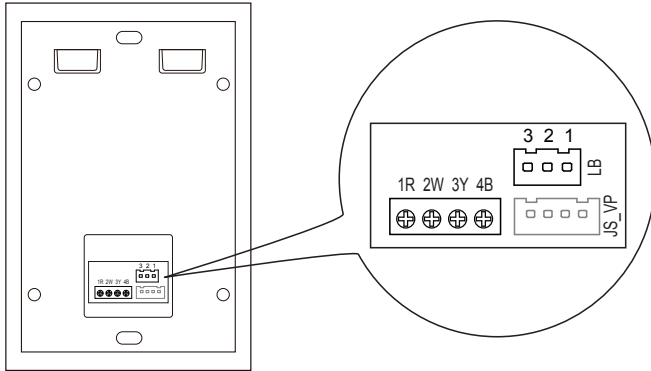


2. How to Install Nameplate



Press down on the right side of the name plate cover, then hold down and shift to the right to take off the cover. Place the name paper between the cover and the plastic base.

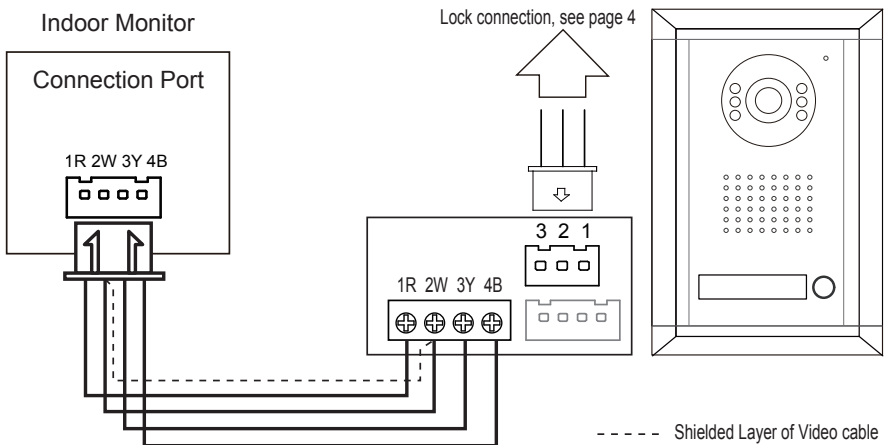
3. Terminal Description



- **1R** Power positive. +12V present when Outdoor Station calling or being monitored.
- **2W** Power negative (GND)
- **3Y** Image signal (Video signal)
- **4B** Talk and control signal (Audio signal)
- **LB** 1(Normally Open Contact); 2(Commen Contact); 3(Normally Closed Contact)
- **JS_VP** Function reserved

4. Connection With Indoor Monitor

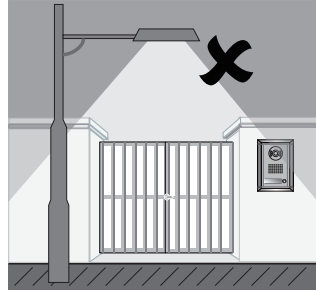
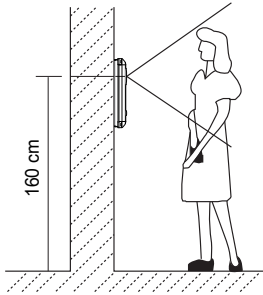
Connect the **1R/2W/3Y/4B** of Camera to **1R/2W/3Y/4B** of Monitor.



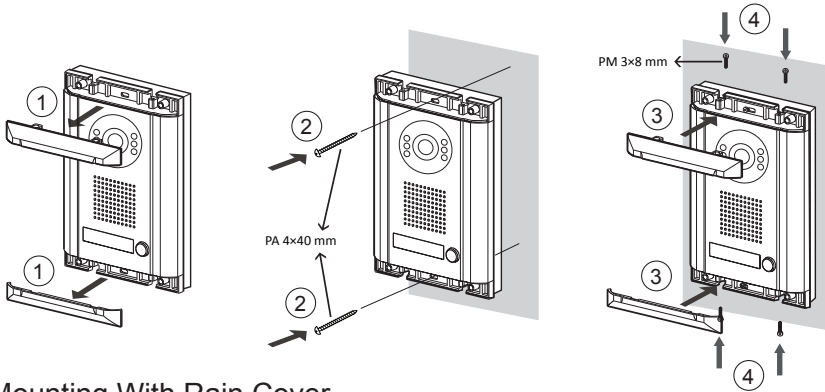
5. Install Condition

The recommended installation height of both Door Station and Monitor is from 160~165 cm.

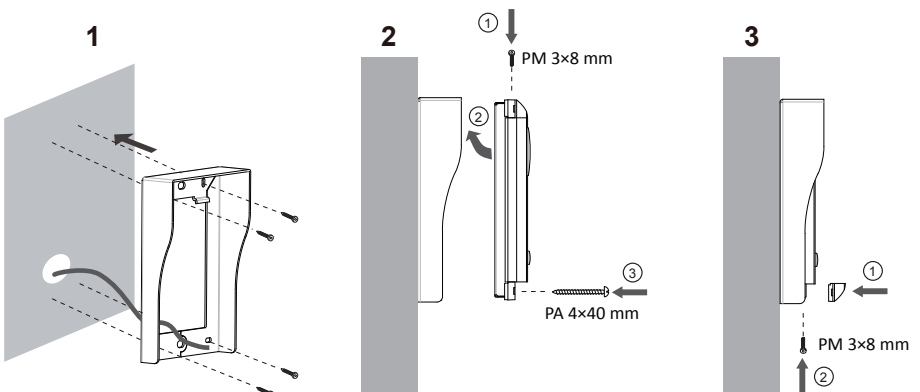
The Camera can not be installed in a place that hard/large light sources can cover the lens of the camera (for example, the street light or Sun light), other wise the video image will have lower contrast.



6. Mounting Without Rain Cover

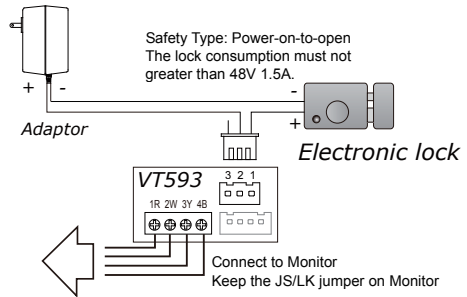


7. Mounting With Rain Cover



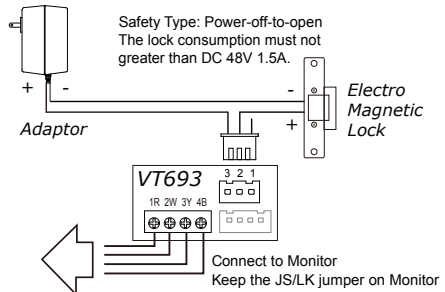
8. Connect an electron lock(power-ON-to-open)

1. When connecting an electric lock, an external power supply is needed (not included).
2. The rating of the lock must be less than DC 48V 1.5A.
3. Connect the 2 Black wire to the power (+), connect 1 Red wire to lock(+), and connect the power (-) to the lock (-).



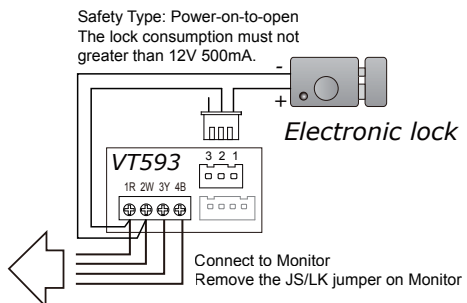
9. Connect an electro-magnetic lock(power-OFF-to-open)

1. When connecting an electro-magnetic lock, an external power supply is needed (not included with this product).
2. The rating of the lock must be less than DC 48V 1.5A.
3. Connect the 2 Black wire to the power (+), connect 3 White wire to lock (+), and connect the power (-) to the lock (-).



10. Connect a lock using the Monitor power only

1. When using the power solely from the Monitor, only the Power-on-to-unlock type electronic lock can be supported. The rating of the lock must be less than 12V 500mA.
2. Connect the 2 Black wire to the 1 Red wire from Monitor, connect 1 Red wire to the lock (+), connect 2 White wire from Monitor to the lock (-).



11. Specifications

- Power Supply: DC 10~12V (Powered by Monitors)
- Consumption: 150mA in working state (latch not included)
- Video Output: 750ohm, 1Vp-p, CCIR standard (unless specified)
- Camera: 76 degree, CCD or CMOS camera with NightView-LED
- Working temperature: -10 ~ 40 degree