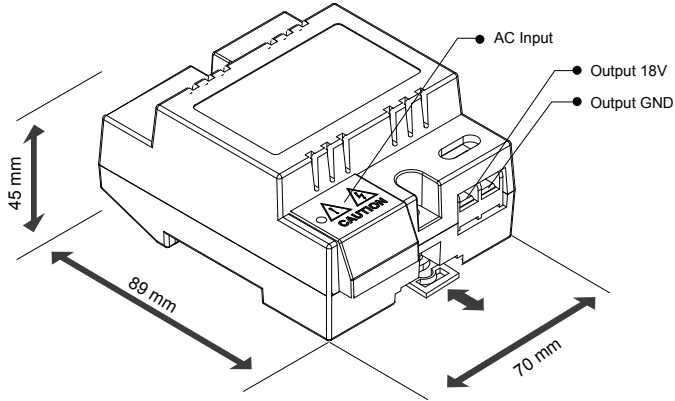


PS4 power supply --Technical Manual

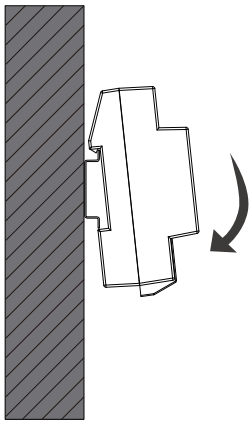
The PS4 power supply is designed for the DT (2-wire) and VT (4-wire) intercom system.

- Supply power to 2 Monitor at the same time (When connect 2 Monitor to the PS4 unit, a separate power supply for the electronic lock must be used).
- 18Vdc output.
- Both DIN bar mounting and direct wall mounting.
- Wide range input voltage (100~250V AC)

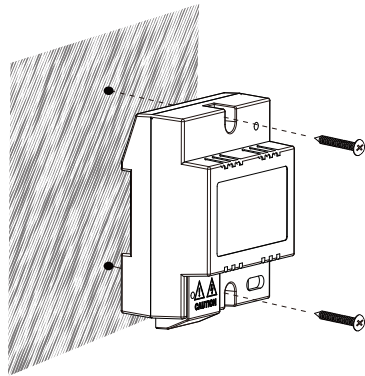


MOUNTING

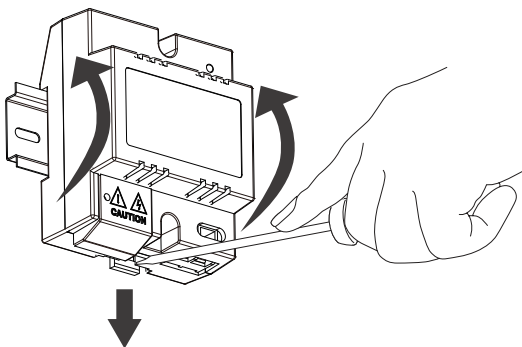
DIN bar mounting



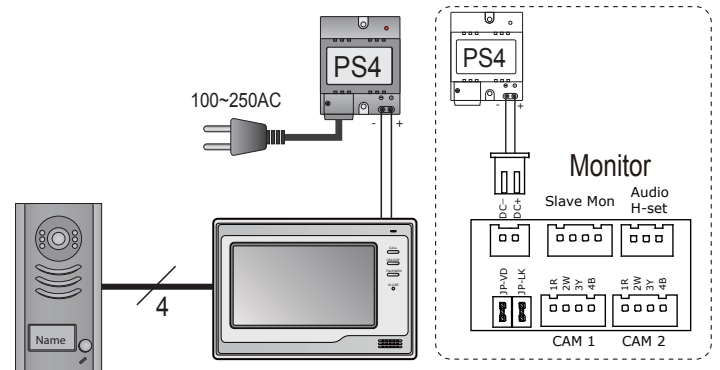
Direct wall mounting



How to take off from DIN

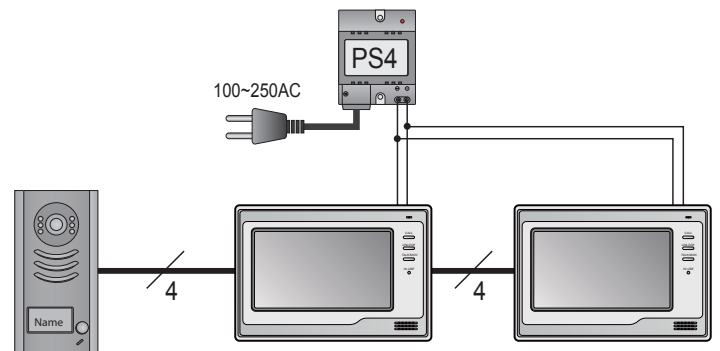


Standard Connection



NOTE: Please connect the +18V of the PS4 to the DC+ of the Monitor, GND to the DC- of the Monitor

Connect 2 Monitors



NOTE: All the power (which the PS4 unit can supply) have been used by one door camera plus 2 Monitors, there will be no enough power for the electronic lock, so a separate power supply for the lock is a necessary.

TECHNICAL FEATURES

Input Voltage:	100~250Vac
Input Frequency:	47~63 Hz
Leakage Current:	>2mA / 240Vac
AC current (TYP.)	3.0A / 150Vac, 2.2A / 230Vac
Rated Output Voltage:	18Vdc
Rated Output Current:	1.2A
Rated Output Power:	22W